

SINGER

132W100

LIST OF PARTS



MACHINE No. 132w100

THE SINGER MANUFACTURING COMPANY

INDEX

	PAGE
ACCESSORIES	15
BORBIN WINDER	16
KNEE LIFTER	17
MACHINE No. 132w100	7
NUMERICAL LIST OF PARTS	19
OBSOLETE PARTS	18
THREAD UNWINDER	17

From the library of: Diamond Needle Corp

Instructions for Ordering

In ordering from this list, use **ONLY** the **PART** number in the **FIRST** column.

The number stamped on a Sewing Machine Part is the number of the Single Part only, except when the part includes Set Screws, Clamping Screws, Studs and Rollers Spun on, Small Wires riveted, or Parts soldered together, etc., which it is necessary to furnish in combination.

Every combination of parts sent out has its specific number which, although not stamped on Parts (except in above cases) must be used when ordering the combination.

Each number always indicates the **SAME PART** in whatever list it appears, or for whatever Machine.

The letters after some of the numbers indicate the style of finish only, as follows:

- A. Hardened, Polished and Plated.
- B. Polished and Plated.
- C. Hardened only.
- D. Polished only.
- E. Soft, not polished.
- F. Hardened and Polished.
- H. Blued.

These letters **MUST BE USED** when they appear in the list and **AFTER** the number, as in the list.

In this series

200001 to 201500 are Screw Numbers.

201501 to 201800 are Nut Numbers.

201801 to 202000 are Roller Numbers.

202001 and upward are numbers of Machine Parts.

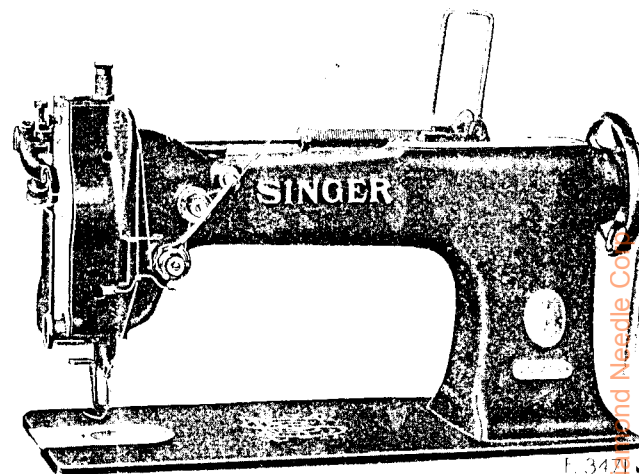
The figures in the second column refer only to the plate in which the illustration of the part is shown and are **NOT TO BE USED** in ordering.

Two or more numbers over a cut indicate that the difference between such parts is not visible in an illustration.

Parts marked with an asterisk (*) are furnished only when repairs are made at the factory.

LIST OF PARTS COMPLETE

FOR



MACHINE No. 132w100

For Making Madeira Eyelets

No.	Plate	Name
*238001	---	Arm with 202135
203087	14251	" Cap
200278H	14252	" " Screw
202248	14252	" " " Washer
203089	14251	" " Spool Holder Base
203090	14251	" " " " " 203089 with 200079H and 204296
200585H	14252	Arm Cap Spool Holder Base Screw
204296	14251	" " " " Wire
200079H	14252	" " " " " Hinge Screw
203088	---	Arm Cap and Spool Holder complete, Nos. 203087, 203090 and two 200585H
204235	14252	Arm Position Pin (2)
200010E	14252	" Screw (3)
202005	14252	" " Washer (3)
238002	14253	" Shaft with 200357E and 203100
202243	14251	" " Bushing (back) with 202244

From the library of: D. J. and Needle Co.

No.	Plate	Name
202244	-----	Arm Shaft Bushing (back) Oil Packing (wick)
200341c	14252	Arm Shaft Bushing (back) Set Screw
224302	14251	Arm Shaft Bushing (front) with 202036 and 202260
202260	-----	Arm Shaft Bushing (front) Oil Packing (wick)
200502b	14252	Arm Shaft Bushing (front) Oil Packing Thumb Screw
202036	14252	Arm Shaft Bushing (front) Position Pin
200341c	14252	Arm Shaft Bushing (front) Set Screw
202634	14251	Arm Shaft Connection Belt
202635	14251	" " " " Pulley with 200327c, 200602c and two 202253
200602c	14252	Arm Shaft Connection Belt Pulley Position Screw
200327c	14252	Arm Shaft Connection Belt Pulley Set Screw
202253	14252	Arm Shaft Connection Belt Pulley Spring Flange
203100	-----	Arm Shaft Oil Packing (wick)
200357c	14252	" " " " Stop Screw
202705	14253	Balance Wheel (belt groove 2 1/2 in. diam.) with 200328c and 200335c
200062u	14252	Balance Wheel Adjusting Screw
200328c	14252	" " Position Screw
200335c	14252	" " Set Screw
*238006	-----	Bed with 238089
202258	12345	" Hinge Connection (2)
200570c	14252	" " " " Screw (4)
210530	14252	Bobbin
224416	14252	" Case Base
224417	-----	" " Cap with 200598c, 201016c and 224421
224418	14252	Bobbin Case Cap complete, Nos. 200964c, 210736, 224310 and 224417
224309	14252	Bobbin Case Latch
224310	-----	" " " " 224309 with 210735 and 224401
210735	14252	Bobbin Case Latch Fulcrum Pin
224401	14252	" " " Lever
210736	14252	" " " Spring
200964c	14252	" " " Stop Screw
238008	14252	" " " Stop
202036	14252	" " " Pin (2)

No.	Plate	Name
200092b	14252	Bobbin Case Stop Screw
224421	14252	" " Tension Spring
201016c	14252	" " " " " Regulat- ing Screw
200598c	14252	Bobbin Case Tension Spring Screw
224419	-----	Bobbin Case complete, Nos. 224416 and 224418
238009	14253	Face Plate
202135	14254	" " Position Pin
200473b	14254	" " Thumb Screw
*238010	---	Hook (sewing)
238011	14254	" 238010 with 200145u, 203101, 224339, 238013 and three 200596c
238012	---	Hook and Bobbin Case complete, Nos. 224419 and 238011
238013	14254	Hook Gib
200596c	14254	" " Screw
203101	---	" Oil Wick
200555u	14254	" Screw
238014	14253	" Shaft
202321	14254	" " Bushing (back)
210943	14254	" " " (front)
200346c	14254	" " " Set Screw (2)
202661	14251	" " Connection Belt Pulley with 202324 and two 200378c
200378c	14254	Hook Shaft Connection Belt Pulley Set Screw
202324	14254	Hook Shaft Connection Belt Pulley Spring Flange
202260	---	Hook Shaft Oil Packing (wick) (2)
224339	14254	" Washer Needle Guard
200145u	14254	" " " " Screw
233122	14251	Needle Bar (hollow) with 200141c
202552	14254	" " Connecting Link
224341	14254	" " " " Stud with 202254
202254	---	Needle Bar Connecting Link Stud Oil Packing (wick)
200374c	14254	Needle Bar Connecting Link Stud Set Screw
200383c	14254	Needle Bar Connecting Link Stud Set Screw
*206891	---	Needle Bar Connecting Stud
206892	14254	" " " " " 206891 with 200072c and 202330
202330	---	Needle Bar Connecting Stud Oil Packing (wick)
200072c	14254	Needle Bar Connecting Stud Pinch Screw

No.	Plate	Name
224342	---	Needle Bar Crank with 200335c, 200374c, 200383c, 200128c and 224341
238016	---	Needle Bar Crank 224342 with 202399, 202400, 202552, 206892 and 224372
203172	14254	Needle Bar Crank Friction Washer
200428c	14254	" " " Position Screw ..
200335c	14252	" " " Set Screw
238017	14251	" " " Frame with 200378c ..
238100	---	" " " 238017 with 233122
210910	14254	" " " Hinge Stud with 202277
202277	----	Needle Bar Frame Hinge Stud Oil Packing (wick)
200347c	14254	Needle Bar Frame Hinge Stud Set Screw
238018	14256	Needle Bar Frame Position Plate
238019	14256	" " " " " " Position Pin
200082b	10881	Needle Bar Frame Position Plate Screw
238020	14256	Needle Bar Position Indicator
200178b	14256	" " " " " Screw (2)
238103	14256	Needle Bar Positioning Sleeve ...
202355	14256	" " " " " Fric- tion Packing (brass)
238022	14256	Needle Bar Positioning Sleeve Fric- tion Spring
200382c	14256	Needle Bar Positioning Sleeve Fric- tion Spring Screw
238104	14256	Needle Bar Positioning Sleeve Stud (eccentric)
200378c	14254	Needle Bar Positioning Sleeve Stud Set Screw
200141f	14256	Needle Set Screw
238024	14251	" Vibration Regulator with 200382c and 200437c
238025	14256	Needle Vibration Regulator Index Finger
200159f	14256	Needle Vibration Regulator Index Finger Screw (2)
200437c	14256	Needle Vibration Regulator Posi- tion Screw
200382c	14256	Needle Vibration Regulator Set Screw
200536c	14256	Needle Vibration Regulator Stop Screw

No.	Plate	Name
201521c	14256	Needle Vibration Regulator Stop Screw Nut
201459b	14256	Needle Vibration Regulator Thumb Stop Screw
201571b	14256	Needle Vibration Regulator Thumb Stop Screw Nut
238036	14251	Needle Vibrator Connecting Link
238037	14255	" " Crank with 202277 ..
238038	14255	" " " Bracket with two 222425
222425	14256	Needle Vibrator Crank Bracket Po- sition Pin
200046c	14256	Needle Vibrator Crank Bracket Screw (lower)
200030c	14256	Needle Vibrator Crank Bracket Screw (upper)
238039	14255	Needle Vibrator Crank Cover
200054b	14256	" " " " " Screw (2)
238040	14256	Needle Vibrator Crank Driving Crank (lower) with 200362c and 200437c
200437c	14256	Needle Vibrator Crank Driving Crank (lower) Position Screw ..
200362c	14256	Needle Vibrator Crank Driving Crank (lower) Set Screw
238043	14256	Needle Vibrator Crank Driving Crank (upper) with 200382c and 200437c
200437c	14256	Needle Vibrator Crank Driving Crank (upper) Position Screw ..
200382c	14256	Needle Vibrator Crank Driving Crank (upper) Set Screw
238041	14256	Needle Vibrator Crank Driving Crank Connection
200273b	14256	Needle Vibrator Crank Driving Crank Connection Hinge Screw (2)
238042	14256	Needle Vibrator Crank Link with 202277
202277	---	Needle Vibrator Crank Link Oil Packing (wick)
202277	---	Needle Vibrator Crank Oil Packing (wick)
238029	14258	Needle Vibrator Eccentric with 200382c and 201461c
238030	14255	Needle Vibrator Eccentric Con- nection
201461c	14258	Needle Vibrator Eccentric Posi- tion Screw

No.	Plate	Name
200382c	14256	Needle Vibrator Eccentric Set Screw
238031	14253	Needle Vibrator Eccentric Shaft
238032	14255	" " " "
		Bushing
200383c	14254	Needle Vibrator Eccentric Shaft Bushing Set Screw
238035	14255	Needle Vibrator Eccentric Shaft Driving Gear with two 200378c...
200378c	14254	Needle Vibrator Eccentric Shaft Driving Gear Set Screw
238033	14255	Needle Vibrator Eccentric Shaft Gear with two 200378c
238034	14255	Needle Vibrator Eccentric Shaft Gear Cover with two 213692 ...
213692	14258	Needle Vibrator Eccentric Shaft Gear Cover Position Pin
200566d	14258	Needle Vibrator Eccentric Shaft Gear Cover Screw (2)
200378c	14254	Needle Vibrator Eccentric Shaft Gear Set Screw
238097	14255	Presser Bar (hollow) with 201462f
238044	14258	" " Bushing
200347c	14254	" " " Set Screw
238045	14258	" " Lifting Releasing Lever Bracket
200260d	14258	Presser Bar Lifting Releasing Lever Bracket Guide Screw
238046	14258	Presser Bar Lifting Releasing Lever Bracket Spring
202337	14258	Presser Bar Position Guide
202338	14258	" " " " Lever with 200086f
200086f	14258	Presser Bar Position Guide Lever Pinch Screw
200352c	14258	Presser Bar Position Guide Set Screw
238047	14258	Presser Bar Spring
238048	14258	" " " Stop Rod
200492B	14258	" " Thumb Screw (pressure regulating)
201637B	14258	Presser Bar Thumb Screw Check Nut
200363c	14258	Presser Bar Thumb Screw Set Screw
202355	14256	Presser Bar Thumb Screw Set Screw Packing (brass)
238051	14261	Presser Foot, for eyelets $\frac{3}{8}$ in. diameter

No.	Plate	Name
238098	14259	Presser Foot Lifter with 200362c...
200362c	14256	" " " Set Screw
238099	14259	" " Lifting Lever
201462f	14259	" " Screw
	5596	14259 Starting Bell Crank
	5599	14259 " " " Bracket
	178f	14259 " " " " Screw (2)
	5601	14259 " " " Hinge Pin ...
	5735	14259 " " " Spring
	5598	Starting Bell Crank complete, Nos. 5596, 5599, 5601 and 5735
238078	14253	Starting Shaft
238080	14257	" " Crank with 200382c and 200437c
238081	14257	Starting Shaft Crank Connecting Rod with two 202302
202302	14259	Starting Shaft Crank Connecting Rod Cotter Pin
200437c	14256	Starting Shaft Crank Position Screw
200382c	14256	Starting Shaft Crank Set Screw...
238082	14257	" " Spring
238028	14259	" " " Collar with 200098f
200098f	14259	Starting Shaft Spring Collar Set Screw
238084	14259	Take-up (auxiliary)
224372	14259	" Lever
202399	14259	" " Driving Stud with 202277
202277	---	Take-up Lever Driving Stud Oil Packing (wick)
202400	14259	Take-up Lever Hinge Stud with 202423
202423	---	Take-up Lever Hinge Stud Oil Packing (wick)
200363c	14258	Take-up Lever Hinge Stud Set Screw
202402	14260	Tension Disc (back)
202403	14260	" " (front)
224402	14260	" Release Lever
224403	14260	" " " 224402 with 200289f, 201537h and 224404 ...
200289f	14260	Tension Release Lever Hinge Screw
201537h	14260	" " " " " " Nut
224404	14260	Tension Release Lever Hinge Stud
200355c	14260	" " " " " " Set Screw

No.	Plate	Name
202404	14260	Tension Release Plunger
202405	14260	" " Washer
204270	14260	" Spring
200625E	14260	" Stud with 204925
200084E	14260	" " Set Screw
204925	14260	" " Washer
201572B	10881	" Thumb Nut
238101	14260	Tension complete, Nos. 200625E, 201572B, 202402, 202403, 202405, 202410 and 204270
201184B	14260	Thread Controller Bearing (screw)
201637B	14258	" " " Check Nut
202402	14260	" " Disc
224405	14260	" " " Cap
200577H	14260	" " " " Screw ..
224373	14260	" " " Position Pin..
224374	14260	" " Releasing Plunger
224375	14260	" " " " "
		Roller
224376	14260	Thread Controller Releasing Plun- ger Spring
202410	14260	Thread Controller Spring
202411	14260	" " " Stop
200132C	14260	" " " " Screw
224406	14260	Thread Controller complete, Nos. 200577H, 201184B, 201637B, 224373, 224374, 224376, 224405 and two 202402
238085	14261	Thread Guide
210592	14261	" "
200086C	14258	" " Screw
200582H	14261	" " "
238087	14257	Throat Plate
238089	14261	" " Position Pin
238092	14261	" " Spur, for eyelets $\frac{3}{16}$ in. diameter
238095	14261	Throat Plate Spur Locking Slide
200321D	14261	" " " " " "
		Screw
238088	----	Throat Plate complete, Nos. 238087, 238095 and three 200321D

ACCESSORIES

No.	Plate	Name
210530	14252	Bobbin
*225482	----	" Case Screw Driver Blade ..
*225483	----	" " " " Handle ..
225497	12345	Bobbin Case Screw Driver com- plete, Nos. 225482 and 225483 ..
238096	----	Drip Pan with four wood screws $\frac{1}{2}$ in. No. 5
87561	----	Embroidery Hoop
234468	----	Eyelet Piercer with 200473B
234469	----	" " Holder
200473B	14254	" " Thumb Screw
234470	14262	Eyelet Piercer (adjustable), for eyelets from $\frac{3}{16}$ to $\frac{1}{4}$ in. diam., complete, Nos. 234468 and 234469
234462	----	Eyelet Punch, .067 in. diameter ...
234463	----	" " .055 in. diameter ...
234464	----	" " $\frac{3}{16}$ in. diameter ...
234465	14262	" " $\frac{1}{4}$ in. diameter ...
234466	----	" " $\frac{5}{16}$ in. diameter ...
234467	----	" " $\frac{3}{8}$ in. diameter ...
234484	----	" " Cutting Block (fibre)
234485	----	" " Mallet (wood)
41400	12345	Machine Rest Pin (wood)
135 x 7	----	Needles, six, size 12
36578	12345	Oiler with 36579
36579	12345	" Spout, $3\frac{1}{2}$ in. long, with 120117
120117	----	" " Washer (leather)
238049	----	Presser Foot, for eyelets $\frac{3}{16}$ in. diameter
238050	----	Presser Foot, for eyelets $\frac{1}{4}$ in. diameter
238052	----	Presser Foot, for eyelets $\frac{5}{16}$ in. diameter
238053	----	Presser Foot, for eyelets $\frac{3}{8}$ in. diameter
*225484	----	Screw Driver Blade
*225485	----	" " Handle
225498	12345	Screw Driver complete ($7\frac{1}{2}$ in. long), Nos. 225484 and 225485 ..
222956	----	Thread Unwinder Spool Weight
222962	14257	" " " " "
		222956 with 2455, 200011E, 202482, 202483 and 222961

No.	Plate	Name
2455	14262	Thread Unwinder Spool Weight Tension Disc (lower)
202482	14262	Thread Unwinder Spool Weight Tension Disc (upper)
200011E	14262	Thread Unwinder Spool Weight Tension Disc Screw
202483	14262	Thread Unwinder Spool Weight Tension Disc Spring (brass) ...
222961	14263	Thread Unwinder Spool Weight Thread Guide
238090	---	Throat Plate Spur, for eyelets $\frac{3}{4}$ in. diameter
238091	---	Throat Plate Spur, for eyelets $\frac{7}{8}$ in. diameter
238093	---	Throat Plate Spur, for eyelets $\frac{1}{2}$ in. diameter
238094	---	Throat Plate Spur, for eyelets $\frac{1}{4}$ in. diameter
225554	12345	Wrench (steel)

BOBBIN WINDER

Swing Automatic, Right Hand

225453	10884	Frame with 202277 and 225438 ...
225454	10884	" Hinge Pin
202277	---	" Oil Packing (wick)
225438	10884	" Well Cap
225455	10884	" Spring
225456	10884	" Plunger
202473	10885	Pulley with 200105c
200105c	10884	" Set Screw
225381	10884	Spindle
225444	10884	Stop Latch
200056E	10884	" Screw
225458	10884	" Thumb Lever
225459	10884	" " " Hinge Stud
225460	10884	" " " Joint Stud
202478	10884	" Trip Lever
200299H	10884	" " " Hinge Screw
225461	10881	Tension Bracket with 201499B ...
200082D	10881	" Screw
228026	10884	" Washer
2102	10881	" Disc
202407	10881	" Spring
201499B	10881	" Stud
201572B	10881	" Thumb Nut
225462	10881	Bobbin Winder Tension Bracket complete, Nos. 201572B, 202407, 225461 and two 2102

No.	Plate	Name
225433	10885	Bobbin Winder and Tension Bracket Base
225382	10885	Universal Bobbin Winder complete, Nos. 200056E, 200082D, 200299H, 202473, 202478, 225381, 225433, 225444, 225453 to 225456, 225458 to 225460, 225462, 228026 and two wood screws $\frac{3}{4}$ in., No. 13, R.H.B.

KNEE LIFTER

2763	14253	Knee Lifter Rock Shaft
7539	14253	" " " " Hanger (back) with two wood screws 1 in., No. 10
20093	14253	Knee Lifter Rock Shaft Hanger (front) with two wood screws 1 in., No. 10
2765	14253	Knee Lifter Rock Shaft Knee Arm
2768	---	" " " " " " 2765 with 2766 and 2767
2766	14253	Knee Lifter Rock Shaft Knee Arm Hub with 356c
356c	14262	Knee Lifter Rock Shaft Knee Arm Hub Set Screw
2767	14253	Knee Lifter Rock Shaft Knee Arm Plate with 356c
356c	14262	Knee Lifter Rock Shaft Knee Arm Plate Set Screw
6337	14253	Knee Lifter Rock Shaft Lifting Bracket with two 356c
2778	14253	Knee Lifter Rock Shaft Lifting Bracket Hook
356c	14262	Knee Lifter Rock Shaft Lifting Bracket Hook Set Screw
356c	14262	Knee Lifter Rock Shaft Lifting Bracket Set Screw
2770	14253	Knee Lifter Rock Shaft Stop Dog with 356c
356c	14262	Knee Lifter Rock Shaft Stop Dog Set Screw
238102	14253	Knee Lifter Rock Shaft complete, Nos. 2763, 2768, 2770, 2778, 6337, 7539 and 20093

THREAD UNWINDER

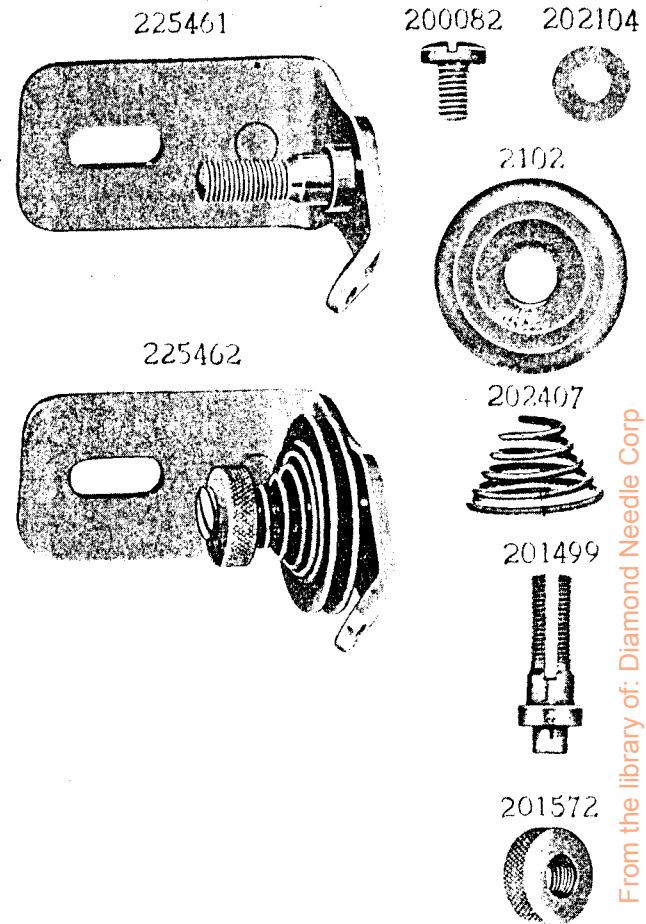
225395	14263	Spool Rest (for two spools) with 201018c
--------	-------	--

No.	Plate	Name
225388	14263	Spool Rest Rod
200383c	14254	" " " Set Screw
201018c	14262	" " Set Screw
202490	14263	" Stand with 200383c
60913	14263	" Weight
225391	14263	Thread Guide
201696j	14262	" " Lock Nut
225392	14263	" " Rod with 208e and 225393
208e	14262	Thread Guide Rod Screw
225393	14262	" " Washer
225396	14263	Thread Unwinder (for two spools) complete, Nos. 201696j, 202490, 225388, 225392, 225395, two each 60913, 225391 and three wood screws $\frac{3}{8}$ in., No. 13

OBSOLETE PARTS

238021	14262	Needle Bar Positioning Sleeve
238023	14262	" " " " Stud

PLATE 10881—FULL SIZE



From the library of: Diamond Needle Corp

PLATE 10884—FULL SIZE

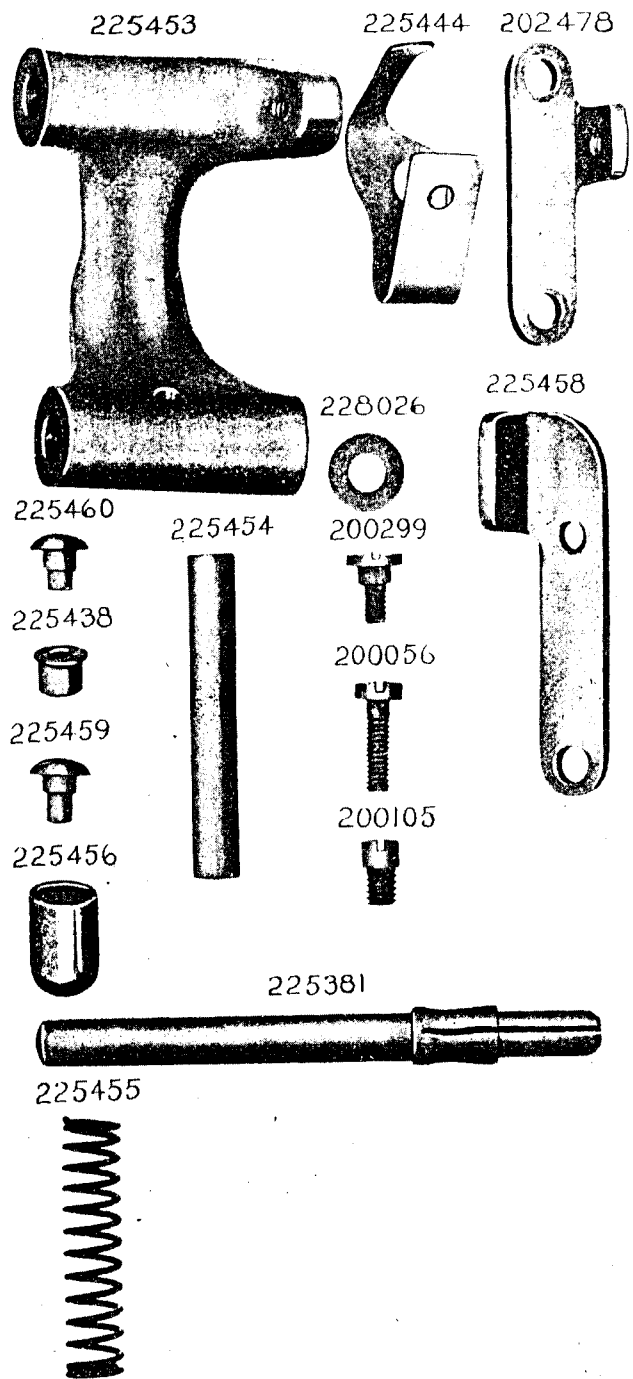
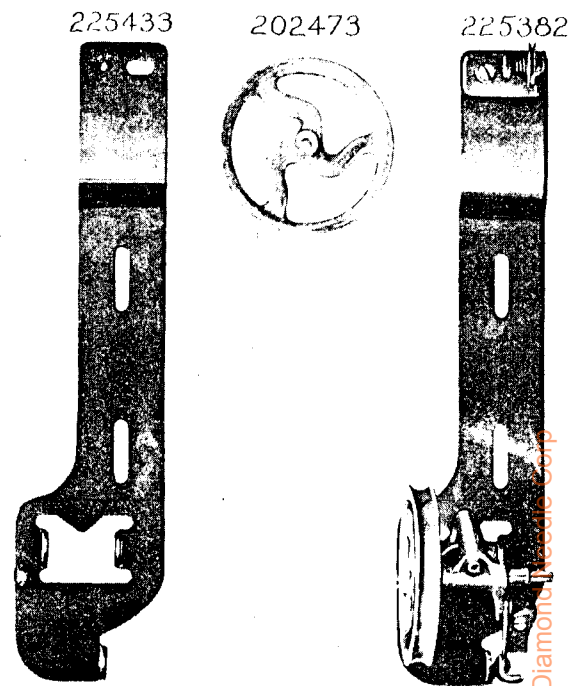


PLATE 10885—ONE-FOURTH SIZE



From the library of: Diamond Records Corp

PLATE 12345—ONE-HALF SIZE

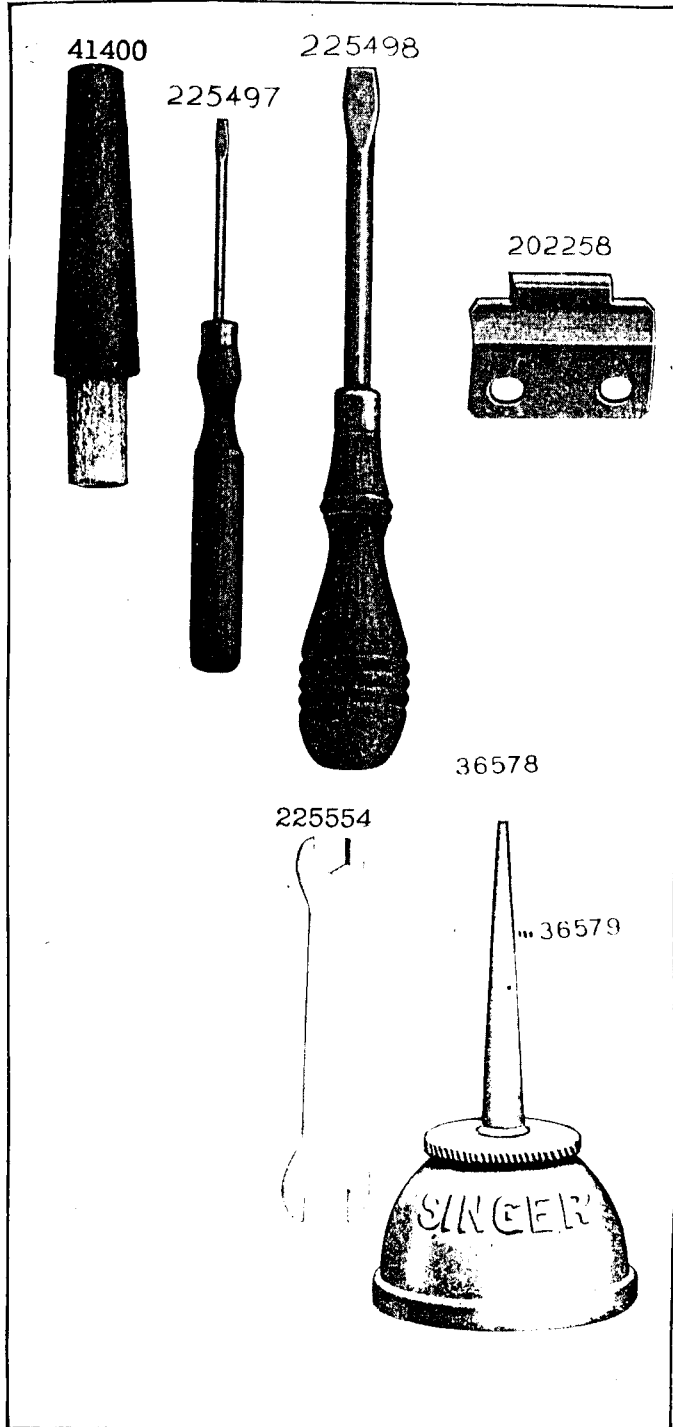


PLATE 14251—ONE-HALF SIZE

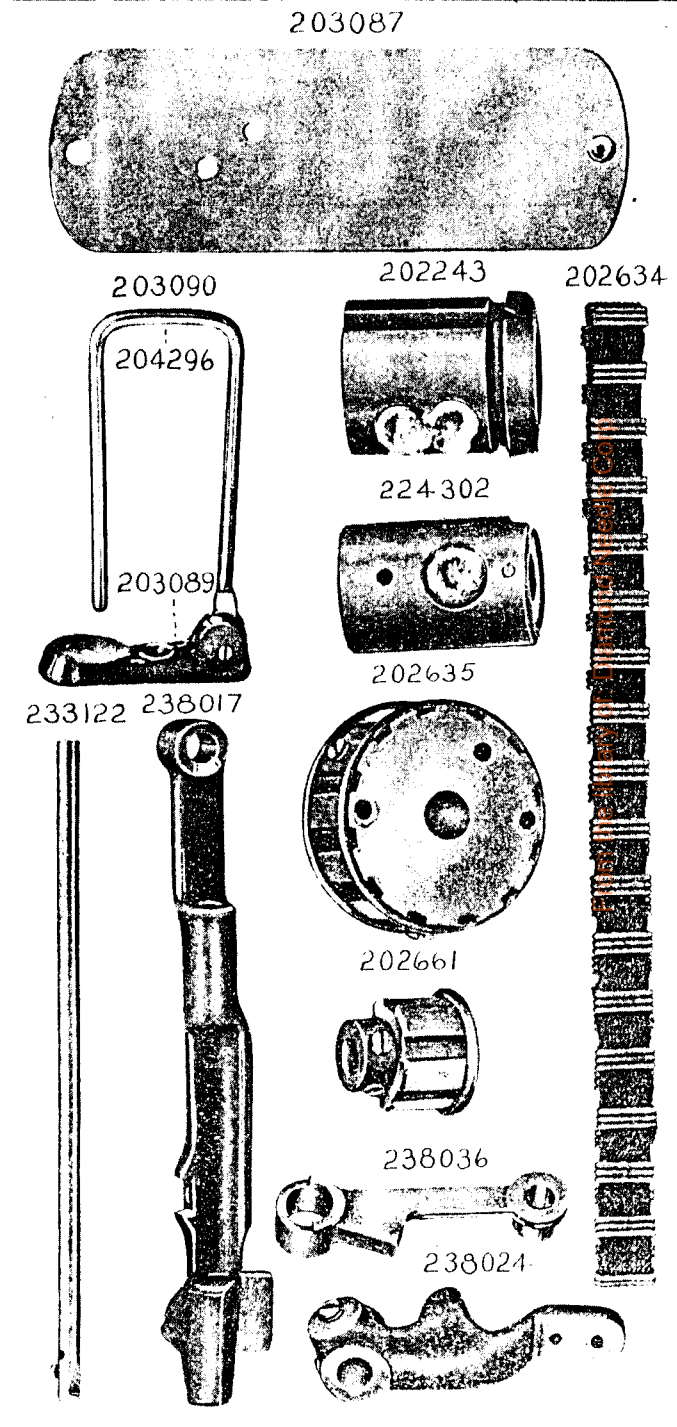


PLATE 14252—FULL SIZE

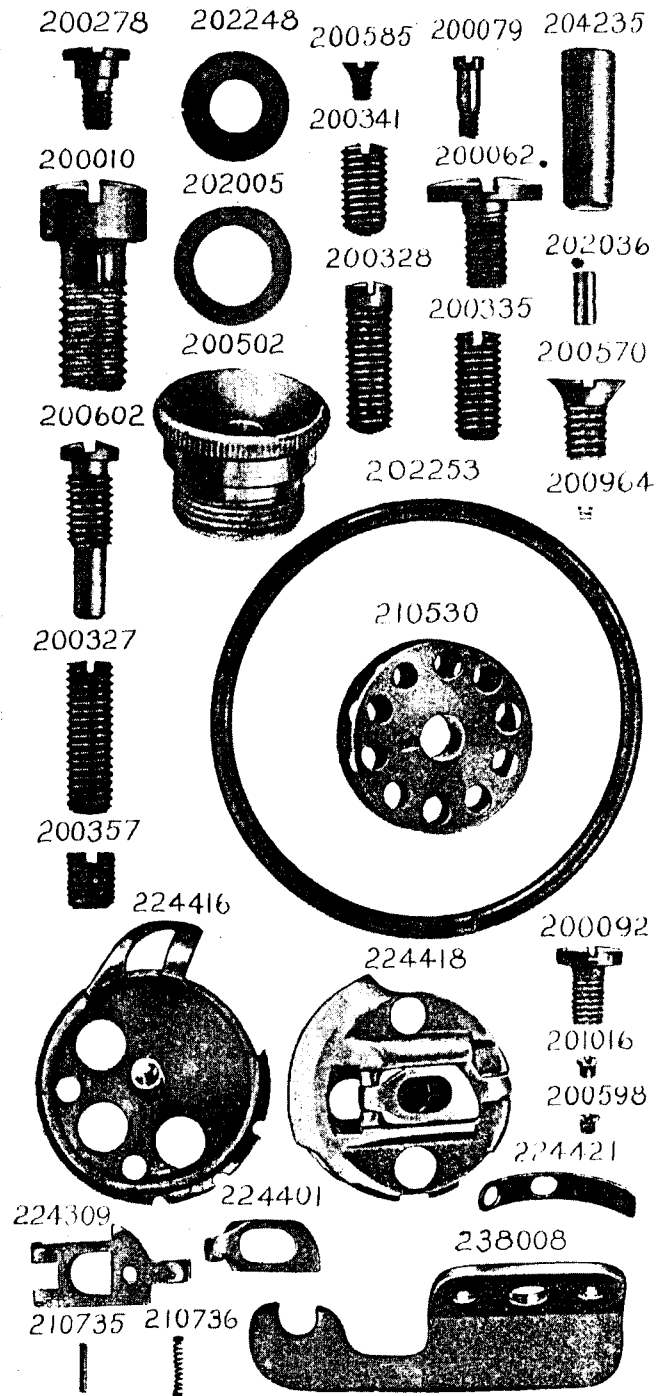
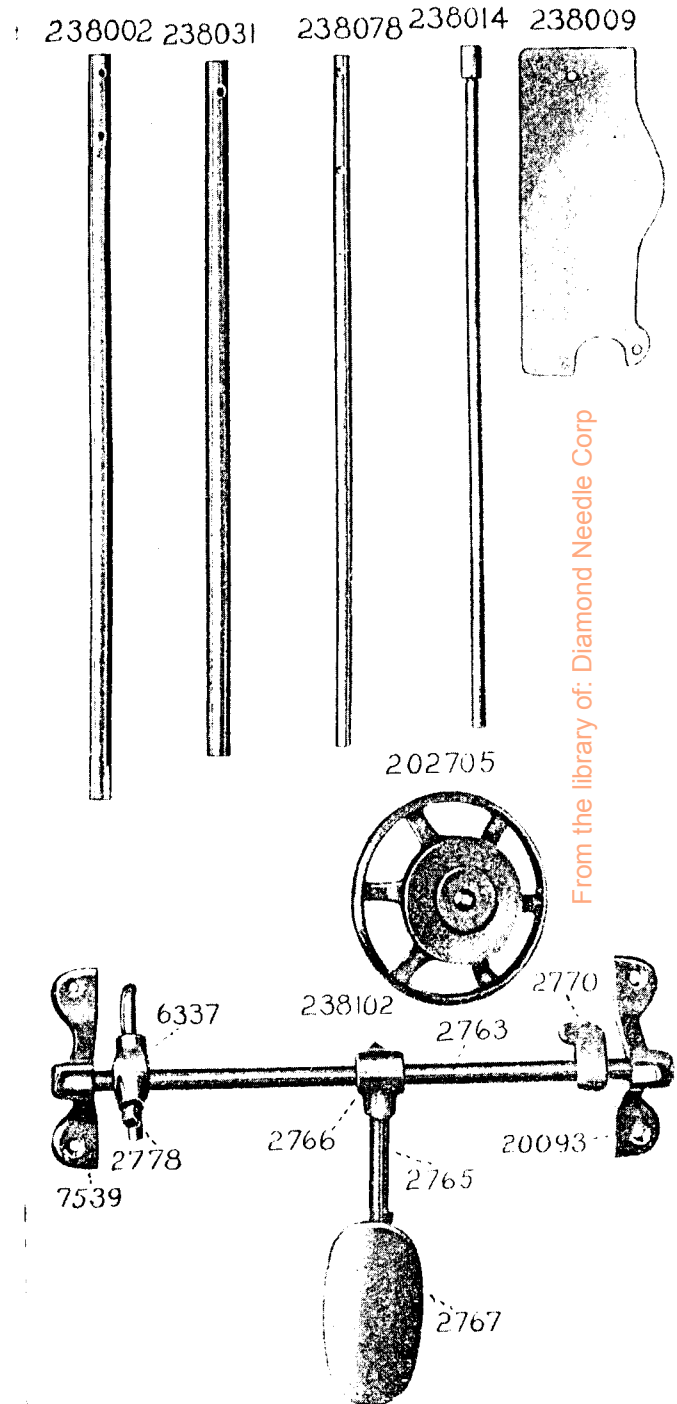


PLATE 14253—ONE-FOURTH SIZE



From the library of: Diamond Needle Corp

PLATE 14254—FULL SIZE

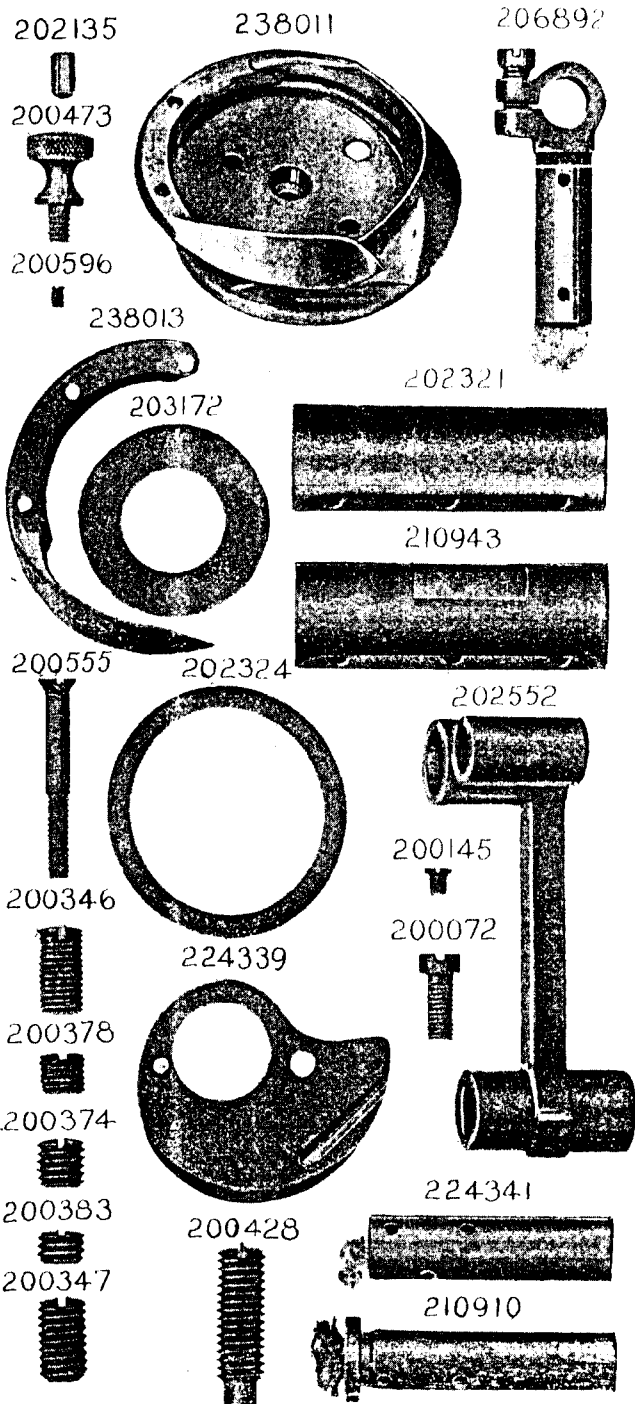
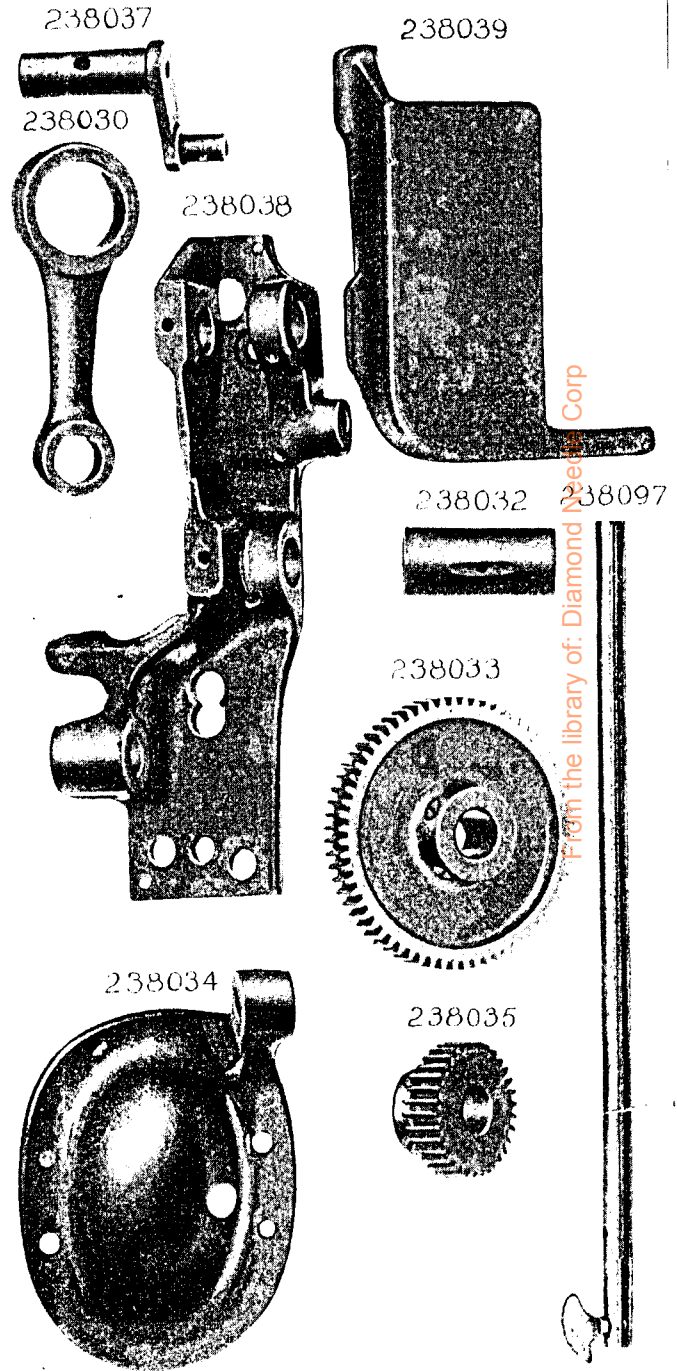


PLATE 14255—ONE-HALF SIZE



From the library of: Diamond News Corp

PLATE 14256—FULL SIZE

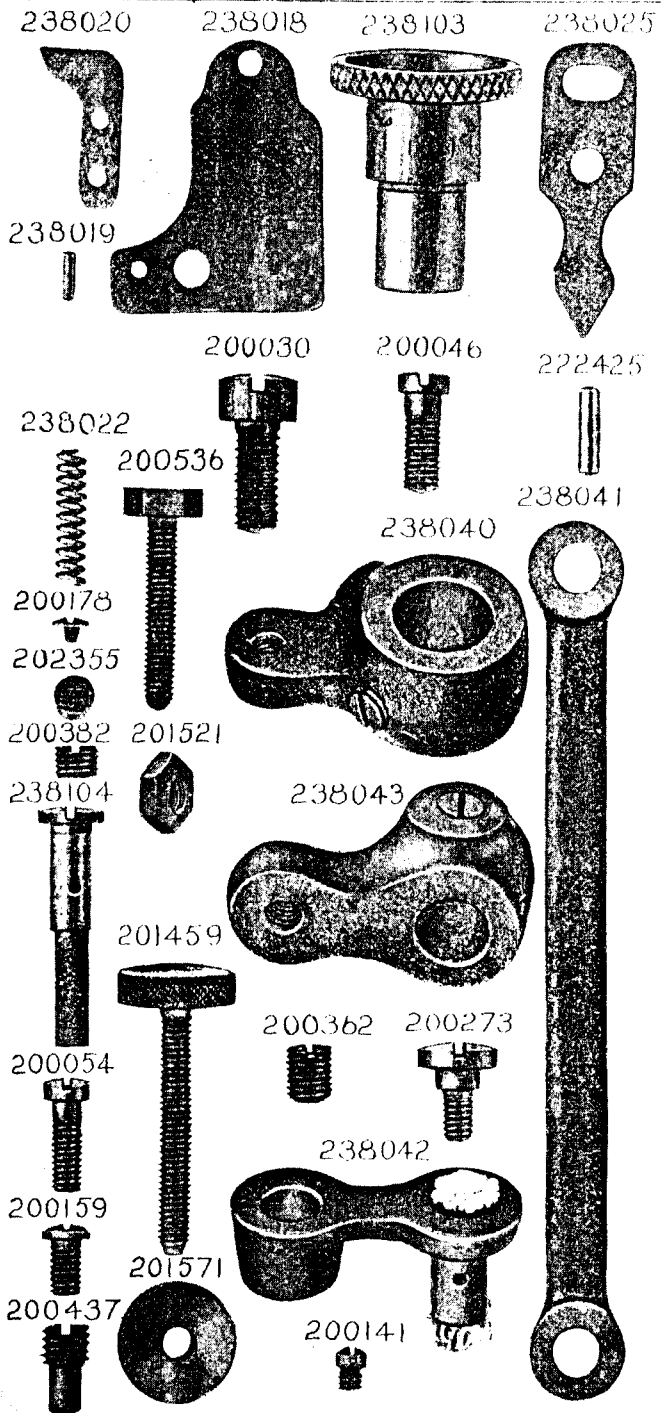
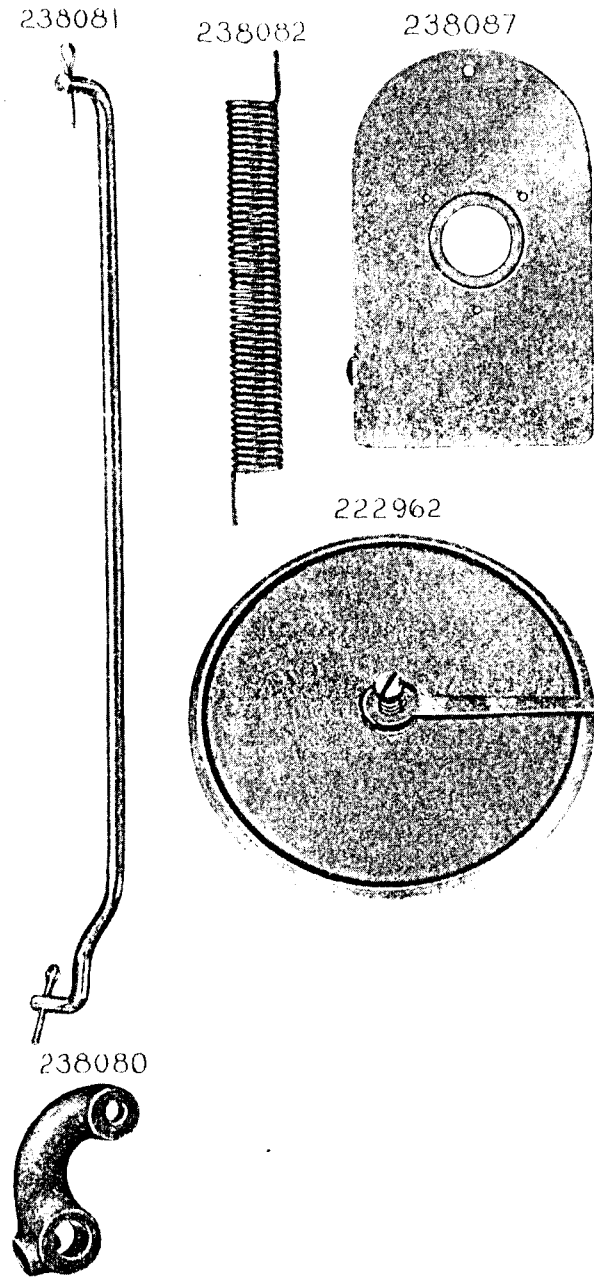


PLATE 14257—ONE-HALF SIZE



From the library of: Diamond Needle Corp

PLATE 14258—FULL SIZE

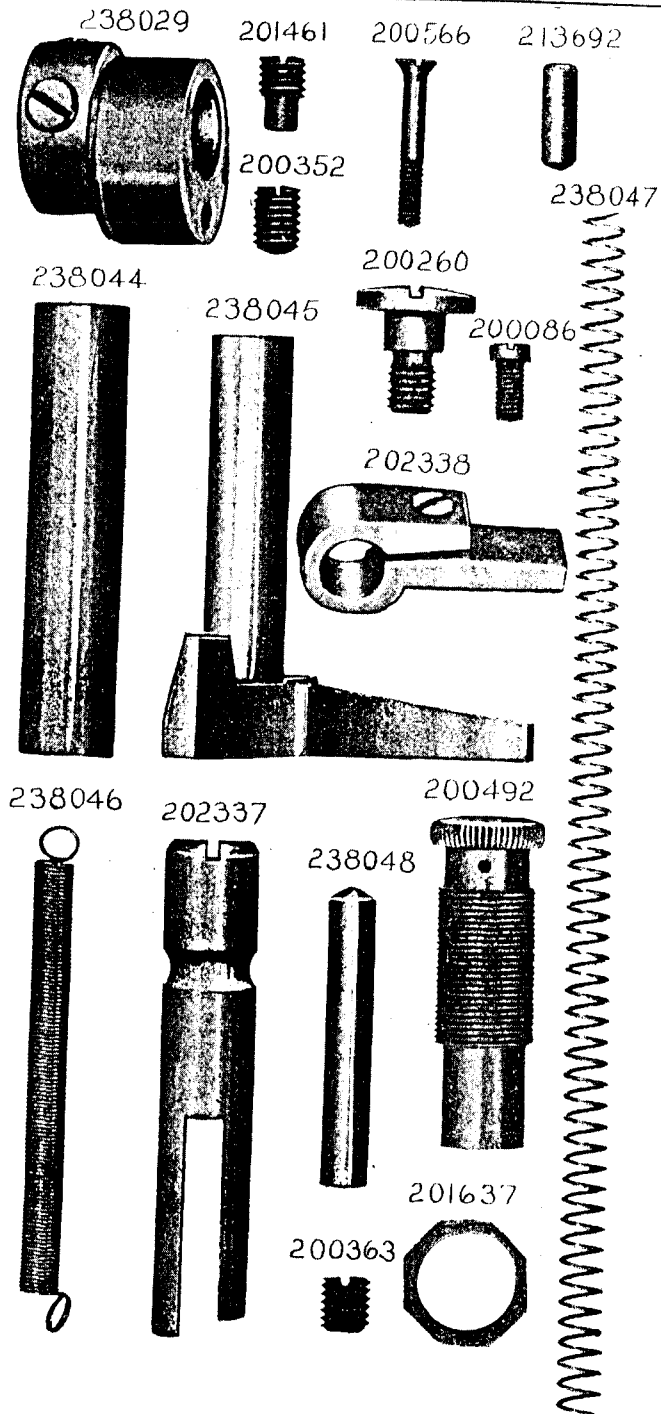
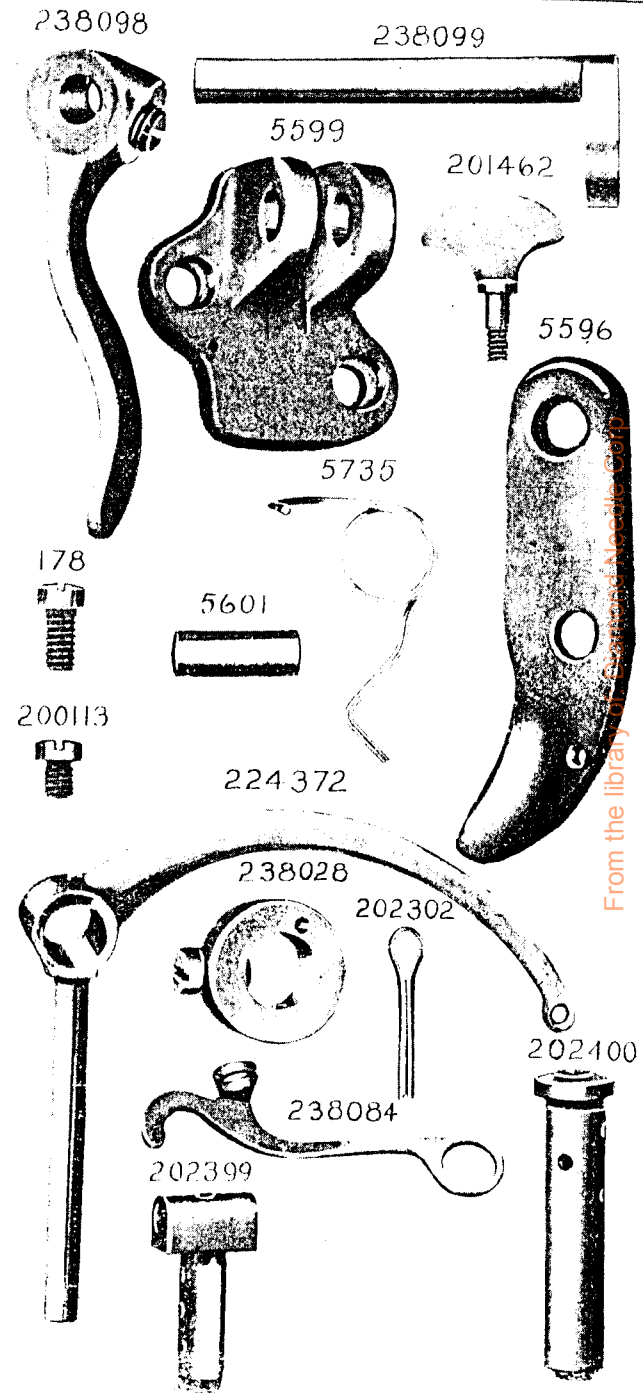


PLATE 14259—FULL SIZE



From the library of the National Archives and Records Administration

PLATE 14260—FULL SIZE

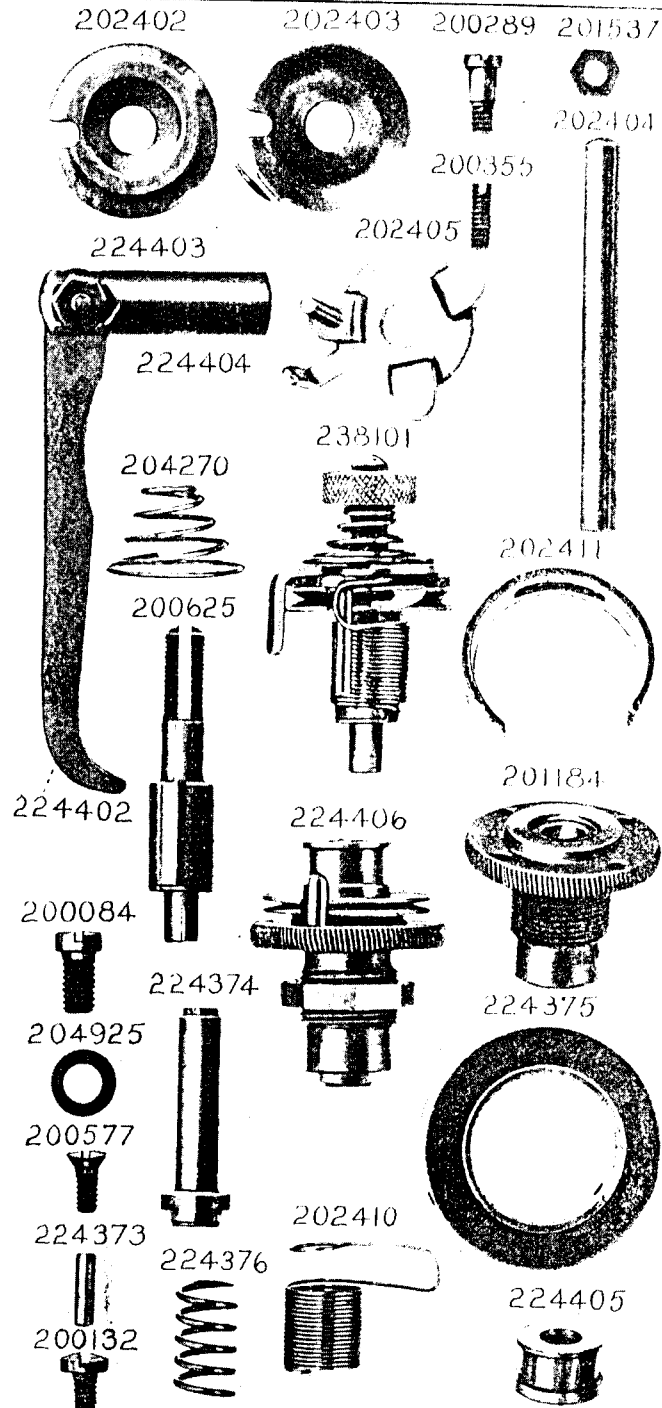
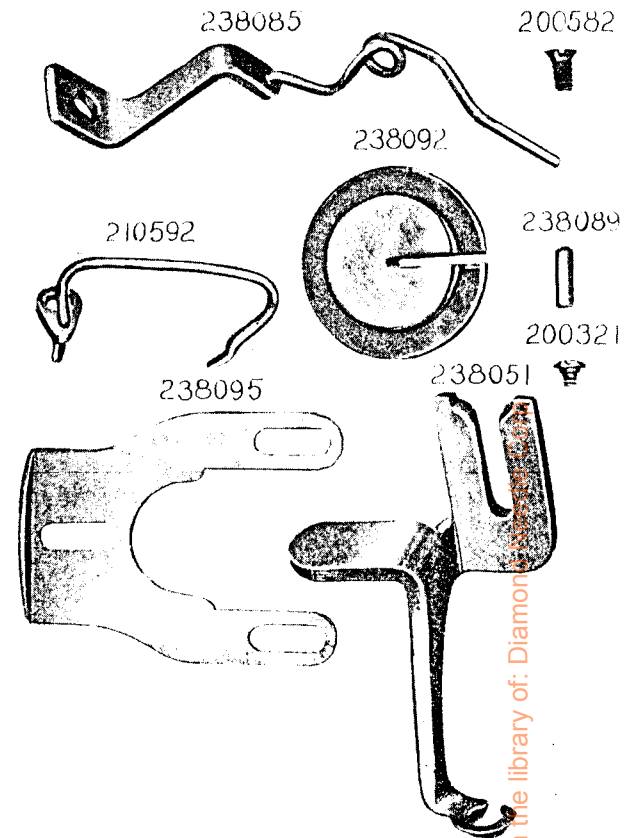


PLATE 14261—FULL SIZE



From the library of: Diamond

PLATE 14262—FULL SIZE

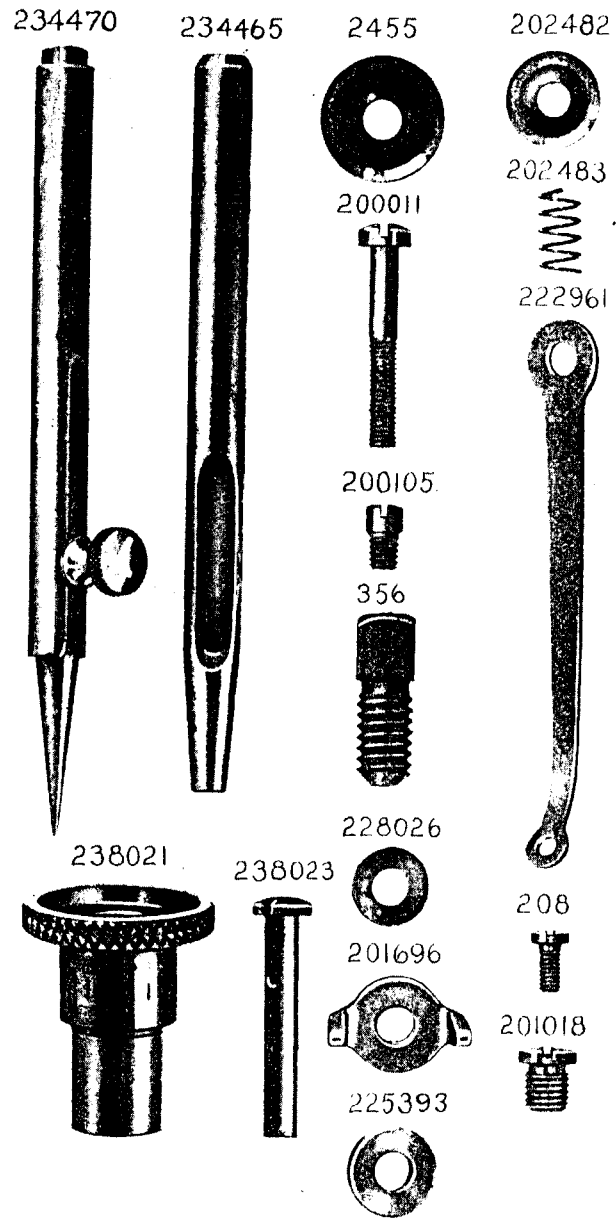
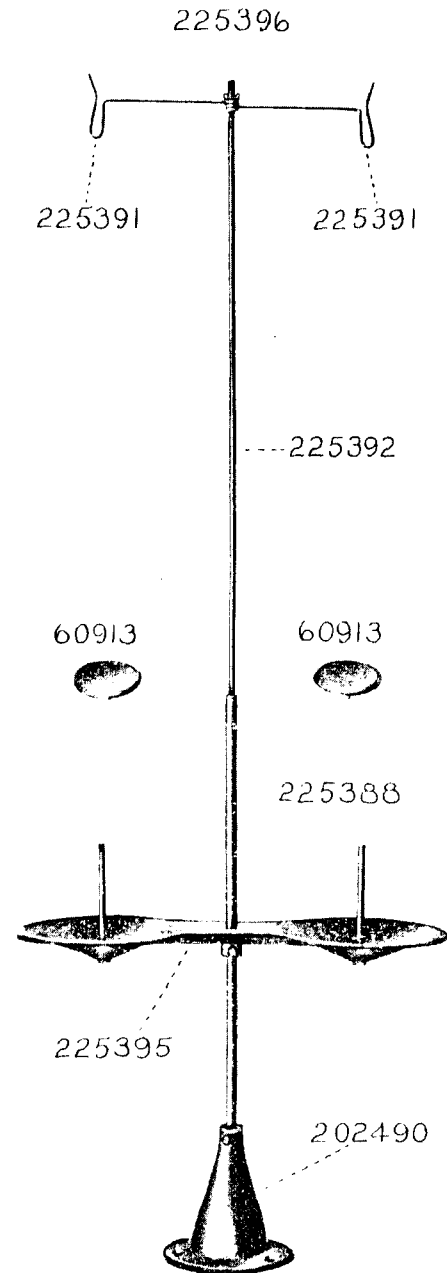


PLATE 14263—ONE-SIXTH SIZE



From the library of: Diamond Needle Corp